



COMPANY PROFILE

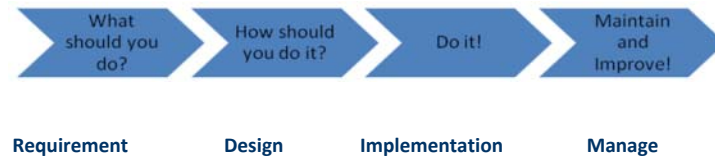


About HDV Technical Solutions

Track Record of Qualitative and Objective Advice



Scope Of Services



Our Approach To Collaborating For Clients Success

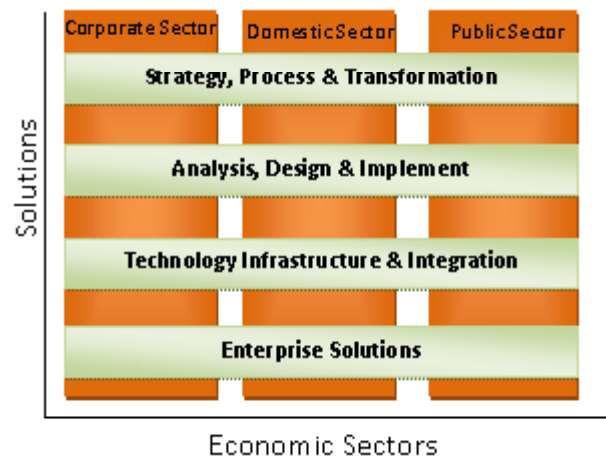
Deliver Flexible Proven Solutions from our extensive experience in the industries we serve



Collaborate with technical partners to apply new technology to deliver enterprise value

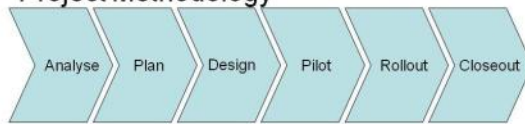
Leverage technology solutions to drive improved solutions

Industry Tailored Solutions



HDV: Providers of High Quality Services

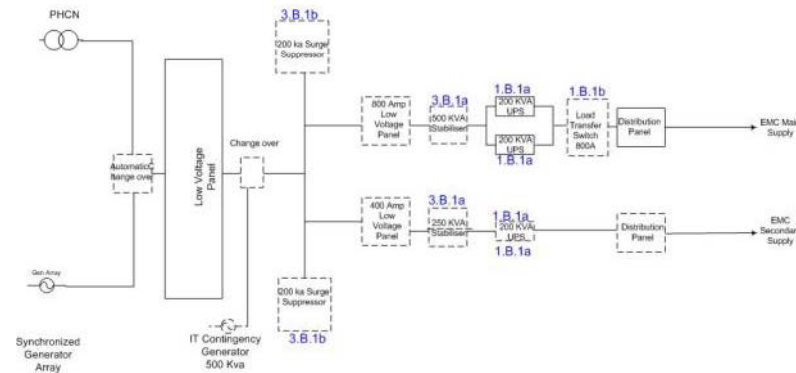
• Project Methodology



Data Analysis



PROPOSED DESIGN OF UPS LAYOUT



Experience



- HDV has multi faceted experience in performing power appraisals, proffering bespoke solutions and implementation of these solutions. These solutions include turn key UPS and inverter back up systems.
- We have clients in Banking, IT and Shipping sectors. Clients include:
 - UBA PLC
 - FCMB PLC
 - Sahara Group
 - Broadband Technologies Limited
 - Premier Lotto Limited
 - MOL Shipping
 - IPNX
 - Hull Blyth Shipping

Experience Details



UBA

We performed a complete study of the UBA legacy Power infrastructure, produced a new proposed Layout and Project Managed the implementation. This was a Data Centre upgrade incorporating UPSs. The branch UPSs were also included in this project.

Total Project Cost N256,000,000

FCMB

We performed a complete study of the FCMB IT Power infrastructure, and proffered solutions to increase uptime to 99.9%.

Total Project Cost N190,000,000

Experience Details cont.

Sahara Group

We performed power studies for IT power and implemented a complete back up system for the IT infrastructure at 3 locations. This solution was based on several inverter systems.

Total Project Cost N76,500,000

Broadband Technologies Limited

We performed power studies for IT power and implemented a complete back up system for the IT infrastructure at 4 locations. This solution was based on several inverter systems.

Total Project Cost N25,500,000

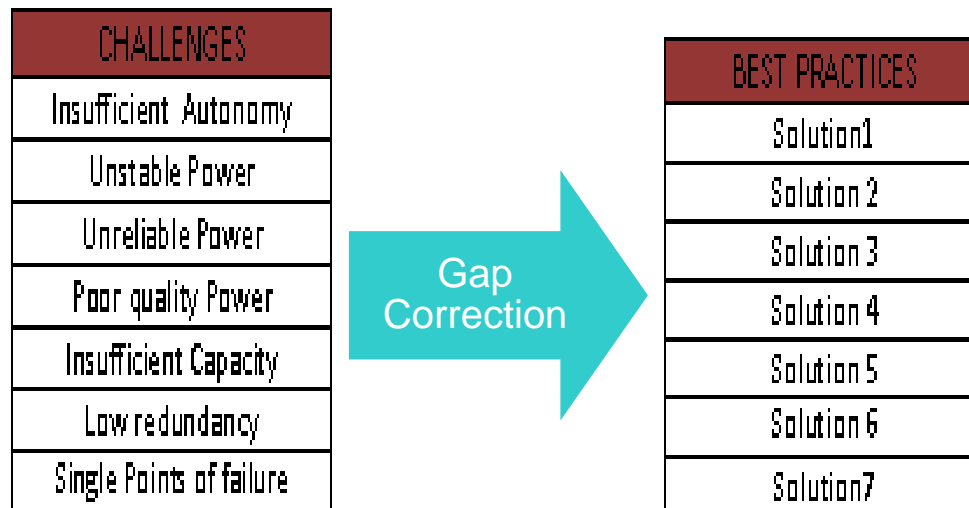
Experience Details cont.

Premier Lotto

We performed power studies for IT power and implemented a complete back up system for the IT infrastructure at numerous locations. This solution was based on over 30 inverter systems. 25 of which were deployed at remote sites.

Total Project Cost N40,500,000

Our Offer



Our Offer cont.



Our Services

- We design data centres with Reference To International Standards & Best Practices
 - TIA¹ Data Center Standards
- Outage analysis and legacy infrastructure audit
- Supply of power Back up systems. (Inverters ,UPSs and electrical purification equipment)

¹ Telecommunications Industry Association

Some of Our Brands

OutBack
Power Systems™
Inverters

xantrex™

Inverters

MAGNUM
ENERGY

Inverters

SIEMON™
CABLING SYSTEM

Network Cabling

socomec
Innovative Power Solutions

UPS

ORTEA®

Stabilisers

MORNINGSTAR
corporation

Charge Controller

SUNTECH

Solar Panels

APC

by Schneider Electric

Data Centre Solutions



THANK YOU!